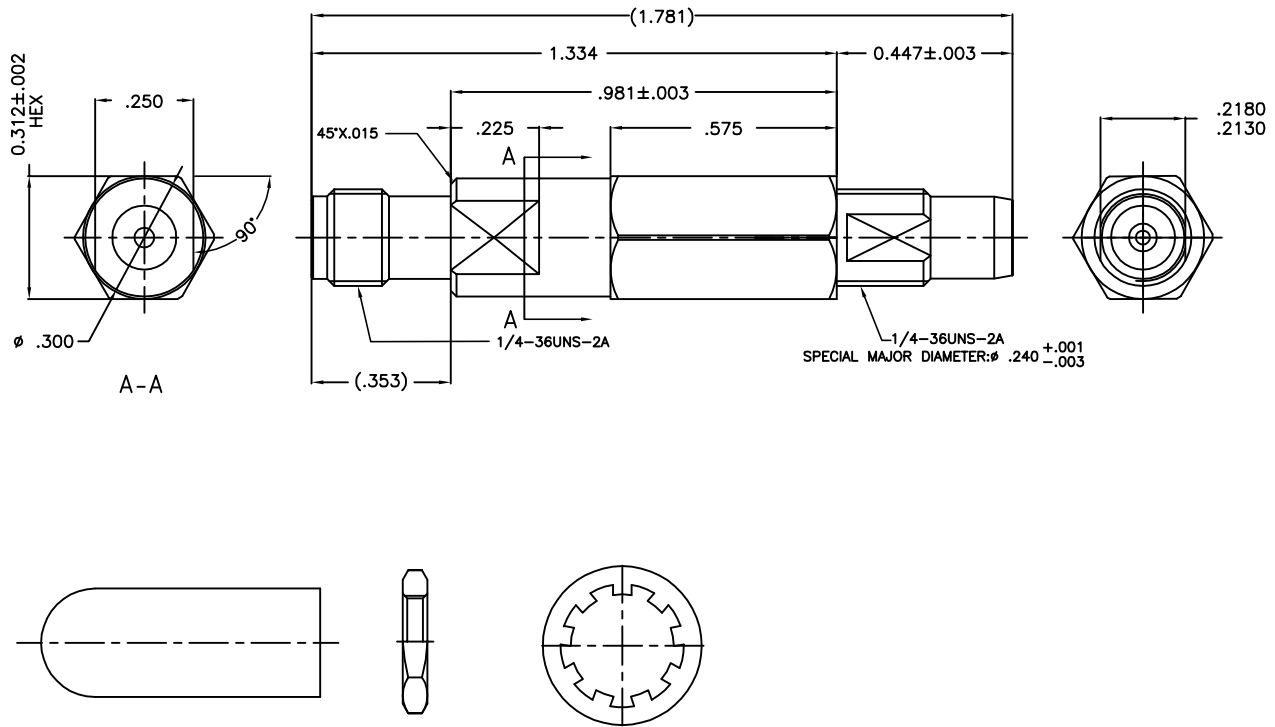


REV	DESCRIPTION	ECN NO.	NAME	DATE

NOTICE:	ALL PARTS MUST MEET TO RoHS REQUIREMENTS
RoHS <input checked="" type="checkbox"/>	



- 注:
- 1 产品须加盖防尘帽
  - 2 出货时螺母和内齿垫圈为散件, 不要装配到主体

材料与电镀(MATERIALS AND PLATING) UNIT: MICRO-INCHES		
主体 BODY	不锈钢 STAINLESS AISI 303	铜底, 镍底, 镀金30μ" GOLD 30 MIN./NICKEL/COPPER
中心针 CONTACT PIN	铍青铜 Be-Cu C17300.	铜底, 镍底, 镀金50μ" GOLD 50 MIN./NICKEL/COPPER
绝缘体: INSULATOR	聚四氟乙烯 TEFLON ASTM D-1457	N/A
螺母 NUT	不锈钢 STAINLESS AISI 303	铜底, 镍底, 镀金20μ" GOLD 20 MIN./NICKEL/COPPER

电气性能 (ELECTRICAL CHARACTERISTICS)	
特性阻抗 (Impedance)	50 Ω
频率范围 (Frequency range)	0~18GHz
工作电压 (Voltage rating)	335 V(rms)
介电耐压 (Dielectric withstanding voltage)	1000 V
接触电阻 (Contact resistance)	Initial
内导体 (Center contact)	≤4mΩ
外导体 (Outer contact)	≤2mΩ
绝缘电阻 (Insulation resistance)	≥5000MΩ
插入损耗 (Insertion loss)	0.06×SQ.ROOT(F) (GHz)dB
电压驻波比 (VSWR)	1.05+0.01×F(GHz)
PROPAGATION DELAY	160±5 pSEC

### CUSTOMER OUTLINE DRAWING

ISSUE	A	SCALE	3/1
UNLESS OTHERWISE SPECIFIED: 1) EDGES CO.15 MAX; 2) REMOVE ALL BURRS; 3) SURFACE ROUGHNESS Ra1.6; 4) UNITS:mm; 5) DIMENSIONS DECIMALS TOLERANCES ANGLES .x ±0.3 ±5° .xx ±0.2 ±5°			

It is exclusively in written agreements that we provide our customers with warrants and representations as to the technical contained specifications and/or the fitness for any particular purpose. The facts and figures herein are carefully compiled to the best of our knowledge, but they are intended for general informational purposes only.

PART NO.	-	
APPROVED	Sam	
CHECKED	Sam	TITLE SMA JACK TO BMA PLUG ADAPTOR
DRAWN	Michael	DRAWING NO. 5BMM06S-MAF
DATE	2010-11-09	Company Website: <a href="http://www.superlinkrf.com">http://www.superlinkrf.com</a>