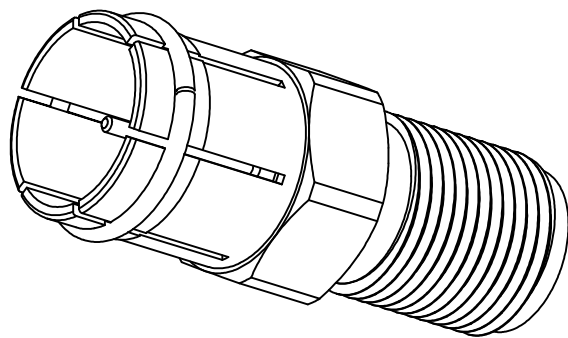
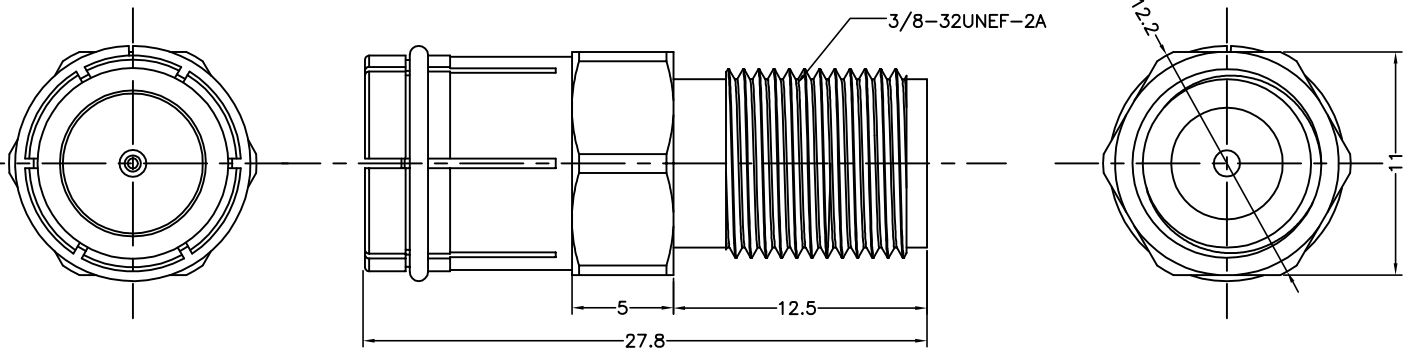


REV	DESCRIPTION	ECN NO.	NAME	DATE



ALL PARTS SATISFIED ROHS REQUIREMENTS

MATERIALS AND PLATING		UNIT: MICRO-INCHES
主体 BODY	黄铜 (C3604) BRASS (C3604)	暗镍 200 μ" MATTE NICKEL 200μ"
中心针 CONTACT PIN	铍铜 (C17300) BERYLLIUM COPPER	锡 120 μ" TIN 120μ"
中心针 CONTACT PIN	黄铜 (C3604) BRASS (C3604)	锡 120 μ" TIN 120μ"
INSULATOR	TEFLON MIL-P-19468	N/A
RETAINER RING	SWP	暗镍 200 μ" MATTE NICKEL 200μ"

ELECTRICAL CHARACTERISTICS	
Impedance	75 Ω
Voltage rating	500V(rms)
Frequency range	0~3GHz
Dielectric withstanding voltage)	3000V
Contact resistance	Center contact: ≤3mΩ
	Outer contact ≤2mΩ
Insulation resistance	≥200GΩ
Insertion loss	-0.09db 3G
RF-leakage	N/A
VSWR	According as the cable
Return loss	-28 db 3G

MECHANICAL CHARACTERISTICS	
Force to engage and disengage	N/A
Center contact retention force	6 lbs MIN.
Coupling torque	N/A
Coupling nut retention force	60 lbs MIN.
Durability	≥ 500 cycles

ENVIRONMENTAL CHARACTERISTICS	
Temperature range	-55°C- +125°C
Vibration	MIL-STD-202,Method 202,Cond D
Shock	MIL-STD-202,Method 202
Corrosion	MIL-STD-202,Method 101,Cond B

CUSTOMER OUTLINE DRAWING

ISSUE	A	SCALE	2/1
<small>UNLESS OTHERWISE SPECIFIED: 1) EDGES CO.15 MAX; 2) REMOVE ALL BURRS; 3) SURFACE ROUGHNESS Ra1.6; 4) UNITS:mm; 5) DIMENSIONS TOLERANCES DECIMALS ANGLES .x ±0.3 ±5° .xx ±0.2</small>			

PART NO.	-
APPROVED	Sam
CHECKED	Sam
DRAWN	Arming
DATE	2012-04-06

TITLE
F FEMALE -QFM ADAPTER

DRAWING NO.
7FCF-QFM

Company Website:<http://www.superlinkrf.com>

It is exclusively in written agreements that we provide our customers with warrants and representations as to the technical contained specifications and/or the fitness for any particular purpose. The facts and figures herein are carefully compiled to the best of our knowledge, but they are intended for general informational purposes only.