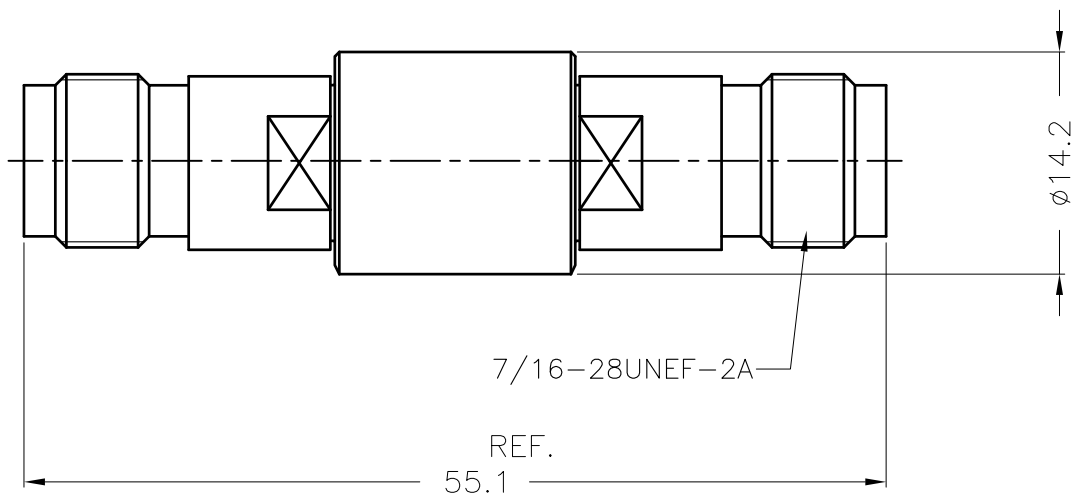


REV	DESCRIPTION	ECN NO.	NAME	DATE



**ALL PARTS SATISFIED ROHS REQUIREMENTS**

材料与电镀(MATERIALS AND PLATING)		UNIT: MICRO-INCHES
主体、外壳 BODY,SHELL	不锈钢303 STAINLESS STEEL	钝化 PASSIVATION
中心针 CONTACT PIN	铍铜 C17300 BERYLLIUM COPPER	铜底,镍底镀金50 MIN GOLD 50 MIN / NICKEL/COPPER
绝缘体 INSULATOR	聚四氟乙烯 TEFLON MIL-P-19468	N/A

电气性能(ELECTRICAL CHARACTERISTICS)	
特性阻抗 (Impedance)	50 Ω
频率范围 (Frequency range)	0~18 GHz
工作电压(Voltage rating)	500 V(rms)
介质耐压(Dielectric withstanding voltage)	750 V
接触电阻 (Contact resistance)	内导体(Center contact) ≤ 3 mΩ 外导体(Outer contact) ≤ 2 mΩ
绝缘电阻 (Insulation resistance)	≥ 5000 MΩ
插入损耗(Insertion loss)	根据电缆特性 (According as the cable)
射频泄漏(RF-leakage)	N/A
电压驻波比(VSWR)	≤ 1.45 @0-18GHz
三阶互调 (3rd Intermodulation)	N/A

机械特性(MECHANICAL CHARACTERISTICS)	
插入力(Force to engage and disengage)	N/A
中心针保持力Center contact retention force	≥ 6 lbs
螺母扭力(Coupling torque)	N/A
螺母拉力(Coupling nut retention force)	N/A
机械耐久性(Durability)	≥ 500 cycles

环境参数(ENVIRONMENTAL CHARACTERISTICS)	
工作温度(Temperature range)	-55°C- +125°C
Vibration	MIL-STD-202,Method 204,Cond B
Shock	MIL-STD-202,Method 213,Cond G
Corrosion	MIL-STD-202,Method 101,Cond B

**CUSTOMER OUTLINE DRAWING**

ISSUE	0	SCALE	2/1
UNLESS OTHERWISE SPECIFIED:			
1)EDGES CO.15 MAX;			
2)REMOVE ALL BURRS;			
3)SURFACE ROUGHNESS Ra1.6;			
4)UNITS:mm;			
5)DIMENSIONS TOLERANCES			
DECIMALS		ANGLES	
.x ±0.3		±5°	
.xx ±0.2			

PART NO.	-
APPROVED	Sam
CHECKED	Sam
DRAWN	Arming
DATE	2011-08-26

**TITLE** TNC (18GHz) FEMALE TO FEMALE ADAPTOR

**DRAWING NO.**  
**5TCF06S-TCF**

Company Website:<http://www.superlinkrf.com>

It is exclusively in written agreements that we provide our customers with warrants and representations as to the technical contained specifications and/or the fitness for any particular purpose. The facts and figures herein are carefully compiled to the best of our knowledge, but they are intended for general informational purposes only.