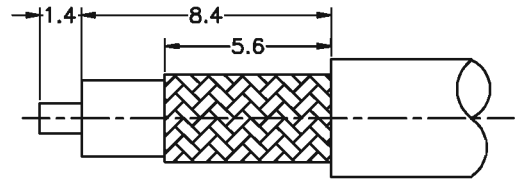
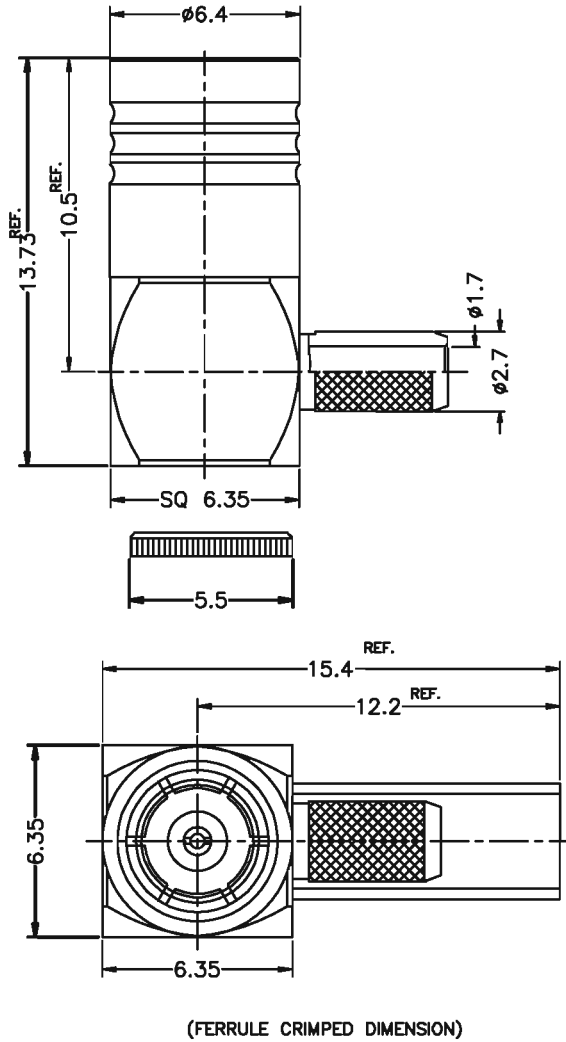


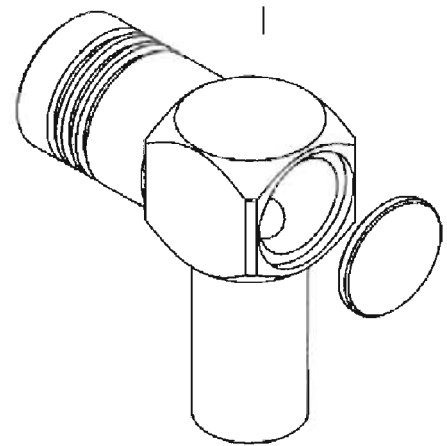
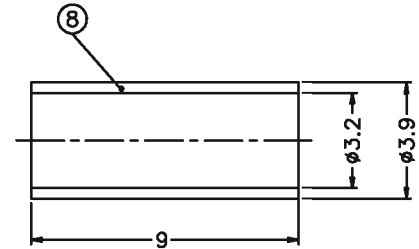
REV	DESCRIPTION	ECN NO.	NAME	DATE

1. CONTACT PIN TO SOLDER

NON-MAGNETIC



RECOMMENDED CABLE STRIPPING DIM'S



ALL PARTS SATISFIED ROHS REQUIREMENTS

材料与电镀(MATERIALS AND PLATING)		UNIT: MICRO-INCHES
主体,固定筒,后盖 BODY,BARREL,COVER	无磁性铜 NON-MAGNETIC BRASS	铜底,镀三元合金 80MIN. ALBALOY 80MIN./COPPER
中心针 CONTACT PIN	铍青铜 Be-Cu C17300	铜底,镀金50MIN. GOLD 50MIN./ COPPER
绝缘体 INSULATOR	聚四氟乙烯 TEFLON MIL-P-19468	N/A
铜管 FERRULE	紫铜 COPPER	铜底,镀三元合金 80MIN. ALBALOY 80MIN./COPPER

机械特性(MECHANICAL CHARACTERISTICS)	
插入和拔出力(Force to engage and disengage)	63 N max. / 8 N min.
线缆拉力(Cable retention force)	20 lbs MIN.
中心针保持力(Center contact retention force)	4 lbs min.
机械耐久性(Durability)	≥ 500 cycles

电气性能(ELECTRICAL CHARACTERISTICS)	
特性阻抗 (Impedance)	50 Ω
工作电压(Voltage rating)	335V(rms) max.
频率范围 (Frequency range)	0~4GHz
介质耐压(Dielectric withstanding voltage)	1000V(rms) min.
接触电阻 mΩ (Contact resistance)	内导体(Center contact) 6 外导体(Outer contact) 2.5
绝缘电阻 (Insulation resistance)	≥1000MΩ
插入损耗(Insertion loss)	-
VSWR	1.3 MAX. (0-4)GHz

环境参数(ENVIRONMENTAL CHARACTERISTICS)	
工作温度(Temperature range)	-65°C- +165°C

CUSTOMER OUTLINE DRAWING

It is exclusively in written agreements that we provide our customers with warrants and representations as to the technical contained specifications and/or the fitness for any particular purpose. The facts and figures herein are carefully compiled to the best of our knowledge, but they are intended for general informational purposes only.

ISSUE	0	SCALE	5/1
UNLESS OTHERWISE SPECIFIED			
1) EDGES C0.15 MAX.			
2) REMOVE ALL BURRS			
3) SURFACE ROUGHNESS Ra 1.6.			
4) UNITS: mm			
5) DIMENSIONS DECIMALS			
TOLERANCES ANGLES			
± 0.3 ± 5°			
± 0.2 ± 5°			

PART NO.	-
APPROVED	Sam
CHECKED	Sam
DRAWN	Xin
DATE	2010-08-31

TITLE SMB PLUG--50 OHMS FOR RG-316 CABLE	
DRAWING NO. NM-5MBM11R-A02	
Company Website: http://www.superlinkrf.com	