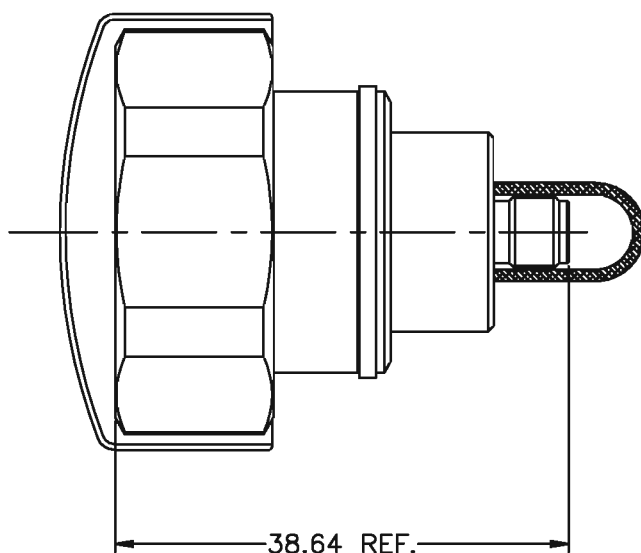


| REV | DESCRIPTION | ECN NO. | NAME | DATE |
|-----|-------------|---------|------|------|
| | | | | |

NOTICE: ALL PARTS MUST MEET TO RoHS REQUIREMENTS

RoHS



| 材料与电镀(MATERIALS AND PLATING) | | UNIT: MICRO-INCHES |
|------------------------------|---------------------------------|--|
| 主体 BODY | 黄铜 (BRASS C3604) BRASS C3604 | 镀三元合金80μ" ALBALOY PLATING THICK 80 MIN. |
| 中心针 CONTACT PIN | 磷青铜 (C54400) phosphor bronze | 铜底,高磷镍底,镀金5μ" GOLD 5μ"/NICKEL PHOSPHOROUS /COPPER |
| 绝缘体: INSULATOR | 聚四氟乙烯 TEFLON MIL-P-19468 | RED |
| 密封圈: GASKET | 硅胶 SILICONE | |
| 外壳 SHELL | 黄铜 (BRASS C3604) BRASS C3604 | 镀三元合金80μ" ALBALOY PLATING THICK 80 MIN. |

| 电气性能(ELECTRICAL CHARACTERISTICS) | |
|--|--|
| 特性阻抗 (Impedance) | 50 Ω |
| 工作电压 (Voltage rating) | 750V(rms) |
| 频率范围 (Frequency range) | 0~6GHz |
| 介电耐压 (Dielectric withstanding voltage) | 1000V |
| 接触电阻 (Contact resistance) | 内导体 (Center contact): ≤1mΩ 外导体 (Outer contact) ≤0.5mΩ |
| 绝缘电阻 (Insulation resistance) | ≥10000MΩ |
| 插入损耗 (Insertion loss) | 根据电缆特性 (According as the cable) |
| 射频泄漏 (RF-leakage) | N/A |
| 电压驻波比 (VSWR) | 1.15 MAX.(0-6GHz) |
| 三阶互调 (3rd Intermodulation) | N/A |

| 机械特性 (MECHANICAL CHARACTERISTICS) | |
|---|-----------------|
| 插入力 (Force to engage and disengage) | N/A |
| 中心针保持力 (Center contact retention force) | 30 lbs MIN. |
| 螺母扭力 (Coupling torque) | 220 in-lbs MIN. |
| 螺母拉力 (Coupling nut retention force) | 100 lbs MIN. |
| 机械耐久性 (Durability) | ≥ 500 cycles |

| 环境参数 (ENVIRONMENTAL CHARACTERISTICS) | |
|--------------------------------------|-------------------------------------|
| 工作温度 (Temperature range) | -55°C - +155°C |
| Thermal shock | US MIL- STD 202, Meth. 107, Cond. B |
| Vibration | US MIL- STD 202, Meth. 204, Cond. B |
| Climatic class | IEC 60068 65/165/21 |

CUSTOMER OUTLINE DRAWING

ISSUE 0 SCALE 2.5/1



UNLESS OTHERWISE SPECIFIED:
 1) EDGES CO.15 MAX;
 2) REMOVE ALL BURRS;
 3) SURFACE ROUGHNESS Ra1.6;
 4) UNITS:mm;
 5) DIMENSIONS DECIMALS TOLERANCES ANGLES
 .x ±0.3 ±.5
 .xx ±0.2

PART NO. -

APPROVED Sam

CHECKED Sam

DRAWN Arming

DATE 2012-08-10



TITLE 7/16 PLUG-3.5mm FEMALE ADAPTOR

DRAWING NO. 5A7M06S-P3F

Company Website: <http://www.superlinkrf.com>

It is exclusively in written agreements that we provide our customers with warrants and representations as to the technical contained specifications and/or the fitness for any particular purpose. The facts and figures herein are carefully compiled to the best of our knowledge, but they are intended for general informational purposes only.