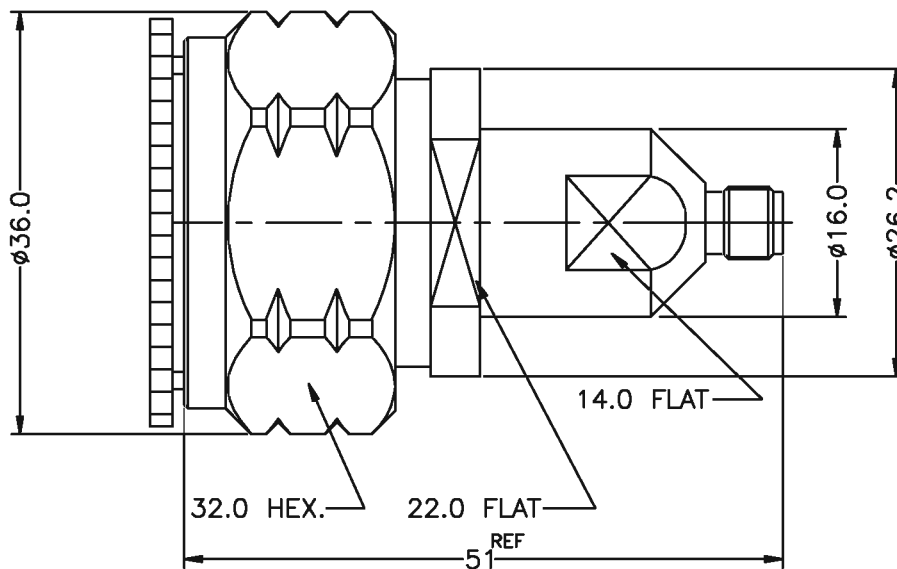


REV	DESCRIPTION	ECN NO.	NAME	DATE

NOTICE: ALL PARTS MUST MEET TO RoHS REQUIREMENTS

RoHS



材料与电镀(MATERIALS AND PLATING)		UNIT: MICRO-INCHES
主体,外壳 BODY, SHELL	黄铜 (BRASS C3604) BRASS C3604	镀三元合金80u"/COPPER ALBALOY 80u"/COPPER
中心针1 CONTACT PIN	黄铜 (BRASS C3604) BRASS C3604	铜底镀银200u"/COPPER SILVER 200u"/ COPPER
中心针2 CONTACT PIN	铍铜 (BE-Cu 17300)	铜底镀金15u" GOLD 15 u"/ COPPER
绝缘体: INSULATOR	聚四氟乙烯 TEFLON MIL-P-19468	
密封圈: GASKET	硅胶 SILICONE	RED

电气性能(ELECTRICAL CHARACTERISTICS)	
特性阻抗 (Impedance)	50 Ω
工作电压 (Voltage rating)	750V(rms)
频率范围 (Frequency range)	0~7.5GHz
介电耐压 (Dielectric withstanding voltage)	1000V
接触电阻 (Contact resistance)	内导体 (Center contact): ≤1mΩ 外导体 (Outer contact) ≤0.5mΩ
绝缘电阻 (Insulation resistance)	≥10000MΩ
插入损耗 (Insertion loss)	根据电缆特性 (According as the cable)
射频泄漏 (RF- leakage)	N/A
电压驻波比 (VSWR)	1.25 MAX.(0-3GHz)
三阶互调 (3rd Intermodulation)	N/A

机械特性 (MECHANICAL CHARACTERISTICS)	
插入力 (Force to engage and disengage)	N/A
中心针保持力 (Center contact retention force)	15 lbs MIN.
螺母扭力 (Coupling torque)	220 in-lbs MIN.
螺母拉力 (Coupling nut retention force)	100 lbs MIN.
机械耐久性 (Durability)	≥ 500 cycles

环境参数 (ENVIRONMENTAL CHARACTERISTICS)	
工作温度 (Temperature range)	-55°C - +155°C
Thermal shock	US MIL- STD 202, Meth. 107, Cond. B
Vibration	US MIL- STD 202, Meth. 204, Cond. B
Climatic class	IEC 60068 65/165/21
Waterproof	IP65

### CUSTOMER OUTLINE DRAWING

ISSUE 0 SCALE 2.5/1



UNLESS OTHERWISE SPECIFIED:  
 1) EDGES CO.15 MAX;  
 2) REMOVE ALL BURRS;  
 3) SURFACE ROUGHNESS Ra1.6;  
 4) UNITS:mm;  
 5) DIMENSIONS DECIMALS TOLERANCES ANGLES  
 .x ±0.3 ° ±5  
 .xx ±0.2

PART NO. -

APPROVED Sam

CHECKED Sam

DRAWN Arming

DATE 2012-03-15

**SLK**  
— SUPERLINK —

TITLE 7/16 PLUG TO SMA JACK ADAPTOR

DRAWING NO. 5A7M11S-MAF

Company Website: <http://www.superlinkrf.com>

It is exclusively in written agreements that we provide our customers with warrants and representations as to the technical contained specifications and/or the fitness for any particular purpose. The facts and figures herein are carefully compiled to the best of our knowledge, but they are intended for general informational purposes only.