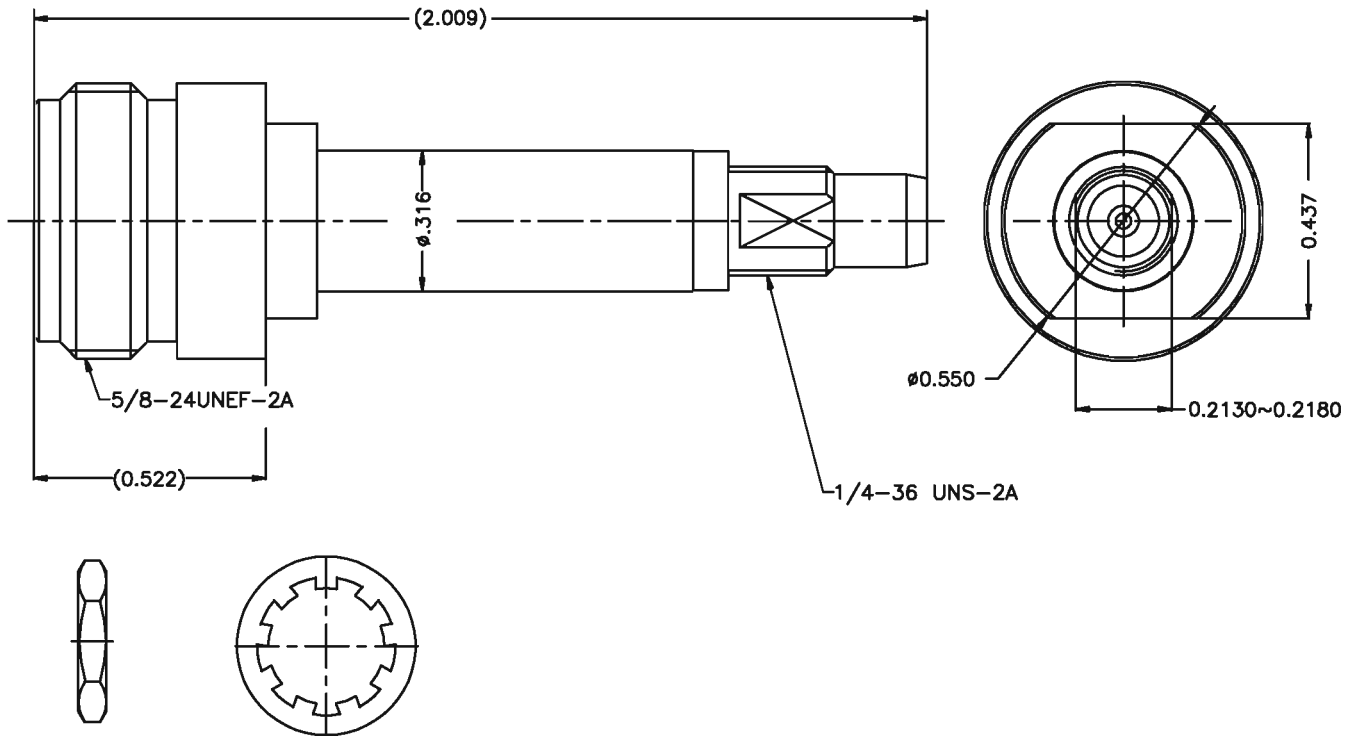


REV	DESCRIPTION	ECN NO.	NAME	DATE

NOTICE: ALL PARTS MUST MEET TO RoHS REQUIREMENTS

RoHS

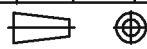


材料与电镀 (MATERIALS AND PLATING) UNIT: MICRO-INCHES		
主体 BODY	不锈钢 STAINLESS AISI 303	铜底, 镍底, 镀金 30 μ" GOLD 30 MIN./NICKEL/COPPER
中心针 CONTACT PIN	铍青铜 Be-Cu C17300.	铜底, 镍底, 镀金 50 μ" GOLD 50 MIN./NICKEL/COPPER
绝缘体: INSULATOR	聚四氟乙烯 TEFLON ASTM D-1457	N/A
螺母 NUT	不锈钢 STAINLESS AISI 303	铜底, 镍底, 镀金 20 μ" GOLD 20 MIN./NICKEL/COPPER

电气性能 (ELECTRICAL CHARACTERISTICS)	
特性阻抗 (Impedance)	50 Ω
频率范围 (Frequency range)	0~11GHz
工作电压 (Voltage rating)	335V(rms)
介电耐压 (Dielectric withstanding voltage)	1000V
接触电阻 (Contact resistance)	Initial
内导体 (Center contact)	≤2.5mΩ
外导体 (Outer contact)	≤2mΩ
绝缘电阻 (Insulation resistance)	≥5000MΩ
插入损耗 (Insertion loss)	0.3 dB MAX
电压驻波比 (VSWR)	1.3 MAX
PROPAGATION DELAY	165±5 pSEC

CUSTOMER OUTLINE DRAWING

ISSUE 0 SCALE 3/1



UNLESS OTHERWISE SPECIFIED:
 1) EDGES CO.15 MAX;
 2) REMOVE ALL BURRS;
 3) SURFACE ROUGHNESS Ra1.6;
 4) UNITS: mm;
 5) DIMENSIONS DECIMALS TOLERANCES ANGLES
 .x ±0.3 ±10°
 .xx ±0.2

PART NO.	-
APPROVED	Sam
CHECKED	Sam
DRAWN	Michael
DATE	2010-10-09



TITLE ADAPTER
 TYPE N JACK TO BMA PLUG
 DRAWING NO.
5NCF06S-BMM
 Company Website: <http://www.superlinkrf.com>

It is exclusively in written agreements that we provide our customers with warrants and representations as to the technical contained specifications and/or the fitness for any particular purpose. The facts and figures herein are carefully compiled to the best of our knowledge, but they are intended for general informational purposes only.