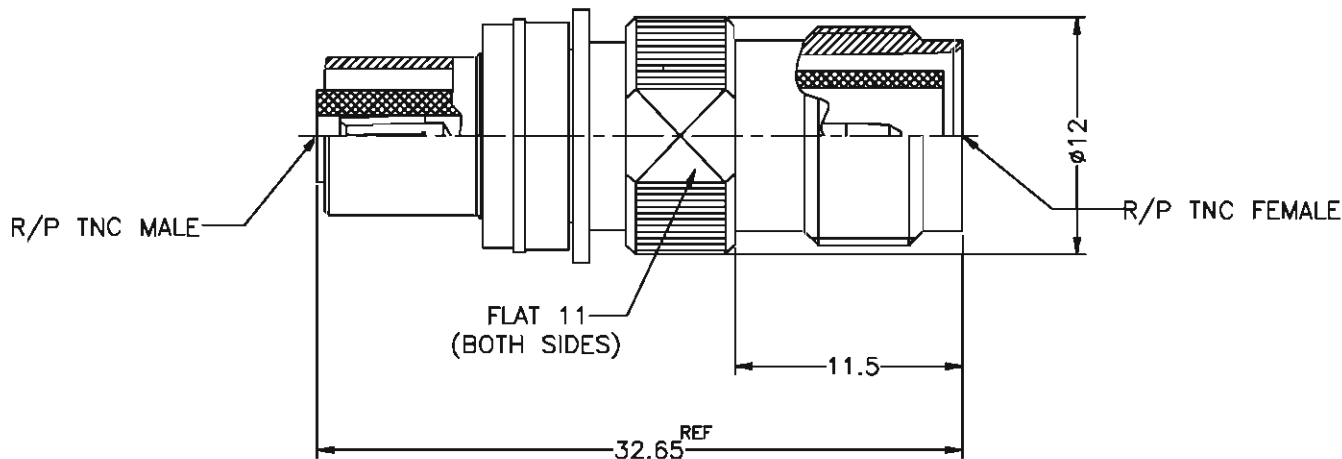


REV	Description	ECN NO.	NAME	DATE

NOTICE: ALL PARTS MUST MEET TO RoHS REQUIREMENTS

RoHS



材料与电镀(MATERIALS AND PLATING)		UNIT: MICRO-INCHES
主体/外壳 BODY/SHELL	黄铜 (BRASS C3604) BRASS C3604	铜底, 镀镍 200µ" NICKEL 200 µ"/COPPER
中心针 CONTACT PIN	铍铜 (Be-Cu) C17300	铜底, 镍底, 镀金 30µ" GOLD 30 µ" /NICKEL/ COPPER
绝缘体: INSULATOR	聚四氟乙烯 TEFLON MIL-P-19468	N/A
密封圈: GASKET	硅胶 SILICONE	红色 RED
C片 C-RING	黄铜 (BRASS C3602) BRASS C3602	铜底, 镀镍 200µ" NICKEL 200 µ"/COPPER
绝缘体: INSULATOR	聚四氟乙烯 TEFLON MIL-P-19468	N/A
绝缘体: INSULATOR	POM	N/A

电气性能(ELECTRICAL CHARACTERISTICS)	
特性阻抗 (Impedance)	50 Ω
工作电压 (Voltage rating)	500V(rms)
频率范围 (Frequency range)	0~6GHz
介电耐压 (Dielectric withstanding voltage)	1500V
接触电阻 (Contact resistance)	内导体 (Center contact): ≤3mΩ 外导体 (Outer contact) ≤2mΩ
绝缘电阻 (Insulation resistance)	≥5000MΩ
插入损耗 (Insertion loss)	3GHz≤1.2 ; 6GHz≤1.3
射频泄漏 (RF-leakage)	N/A
电压驻波比 (VSWR)	N/A
三阶互调 (3rd Intermodulation)	N/A

机械特性 (MECHANICAL CHARACTERISTICS)	
中心针保持力 (Center contact retention force)	6 lbs MIN.
机械耐久性 (Durability)	≥ 500 cycles

环境参数 (ENVIRONMENTAL CHARACTERISTICS)	
工作温度 (Temperature range)	-65°C - +165°C
Vibration	MIL-STD-202, Method 202, Cond D
Shock	MIL-STD-202, Method 202
Corrosion	MIL-STD-202, Method 101, Cond B

### CUSTOMER OUTLINE DRAWING

ISSUE	A	SCALE	2/1
UNLESS OTHERWISE SPECIFIED			
1) EDGES C0.25 MAX.			
2) REMOVE ALL BURRS			
3) SURFACE ROUGHNESS Ra1.6			
4) UNITS: mm			
DIMENSIONS		TOLERANCES	
DECIMALS		ANGLES	
.1 ±0.3		±0.2°	
.001 ±0.2		±0.2°	

PART NO.	-
APPROVED	Sam
CHECKED	Sam
DRAWN	Xin
DATE	2010-3-05

**SLK**  
— SUPERLINK —

TITLE	R/P TNC JACK TO R/P TNC MALE PLUG ADAPTOR
DRAWING NO.	5RTCM-RTCF-001
Company Website:	<a href="http://www.superlinkrf.com">http://www.superlinkrf.com</a>

It is exclusively in written agreements that we provide our customers with warrants and representations as to the technical contained specifications and/or the fitness for any particular purpose. The facts and figures herein are carefully compiled to the best of our knowledge, but they are intended for general informational purposes only.