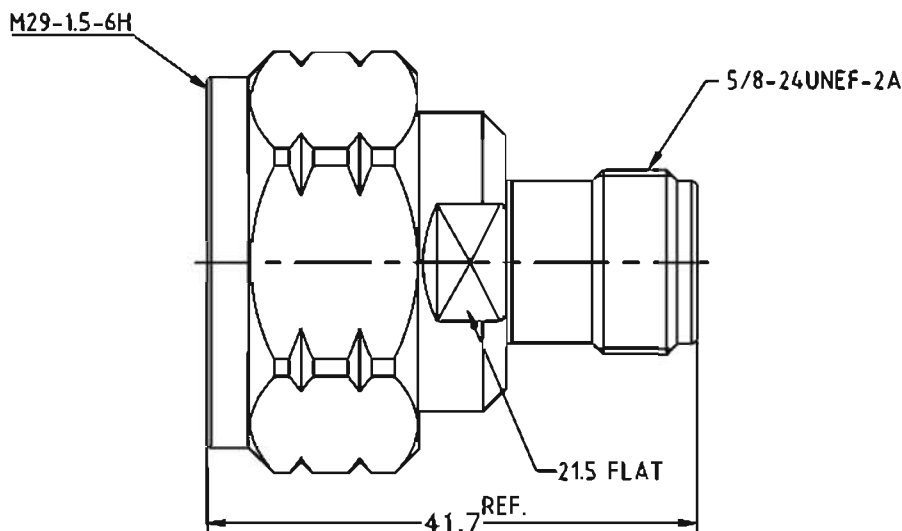


REV	DESCRIPTION	ECN NO.	NAME	DATE

NOTICE: ALL PARTS MUST MEET TO RoHS REQUIREMENTS

RoHS



材料与电镀(MATERIALS AND PLATING)		UNIT: MICRO-INCHES
主体 BODY	无磁性黄铜 Non-magnetic brass	镀三元合金80μ" ALBALOY PLATING THICK 80 MIN.
中心针 CONTACT PIN	磷青铜 PHOSPHOR BRONZE C54400	铜底镀银200μ" SILVER 200μ"/ COPPER
绝缘体: INSULATOR	聚四氟乙烯 TEFLON MIL-P-19468	N/A
密封圈: GASKET	硅胶 SILICONE	RED
外壳: SHELL	黄铜 BRASS C3604	镀三元合金80μ" ALBALOY PLATING THICK 80 MIN.

机械特性(MECHANICAL CHARACTERISTICS)	
插入力(Force to engage and disengage)	N/A
中心针保持力Center contact retention force	7/16&45lbs min
螺母扭力(Coupling torque)	7/16 221-260 lbf-in
	N 30 lbf-in min
螺母拉力(Coupling nut retention force)	N&100lbs min/ 7/16&225 in-lbs MIN.
机械耐久性(Durability)	≥ 500 cycles

电气性能(ELECTRICAL CHARACTERISTICS)	
特性阻抗 (Impedance)	50 Ω
工作电压(Voltage rating)	1000V(rms)
频率范围 (Frequency range)	0~6GHz
介电耐压(Dielectric withstanding voltage)	2500V
接触电阻 (Contact resistance)	内导体(Center contact): ≤1.4mΩ 外导体(Outer contact)≤0.45mΩ
绝缘电阻 (Insulation resistance)	≥5000MΩ
电压驻波比(VSWR)	1.1 MAX.(0.1-6GHz)
三阶互调 (3rd Intermodulation)	125dBm

环境参数(ENVIRONMENTAL CHARACTERISTICS)	
工作温度(Temperature range)	-40°C- +150°C
Thermal shock	US MIL- STD 202, Meth. 107, Cond. B
Vibration	US MIL- STD 202, Meth. 204, Cond. B
Climatic class	IEC 60068 6S/16S/21

CUSTOMER OUTLINE DRAWING

ISSUE 0 SCALE 2.5/1



UNLESS OTHERWISE SPECIFIED:
 1) EDGES CO.15 MAX;
 2) REMOVE ALL BURRS;
 3) SURFACE ROUGHNESS Ra1.6;
 4) UNITS:mm; TOLERANCES DECIMALS ANGLES
 ±0.3 ±5
 or ±0.2

PART NO. -

APPROVED Arming

CHECKED Arming

DRAWN Dong

DATE 2010-11-02



TITLE 7/16 PLUG-N JACK ADAPTOR

DRAWING NO. NM-5A7M05S-NCF

Company Website: <http://www.superlinkrf.com>

It is exclusively in written agreements that we provide our customers with warrants and representations as to the technical contained specifications and/or the fitness for any particular purpose. The facts and figures herein are carefully compiled to the best of our knowledge, but they are intended for general informational purposes only.