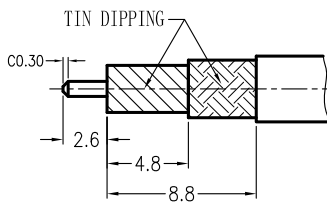


REV	DESCRIPTION	ECN NO.	NAME	DATE

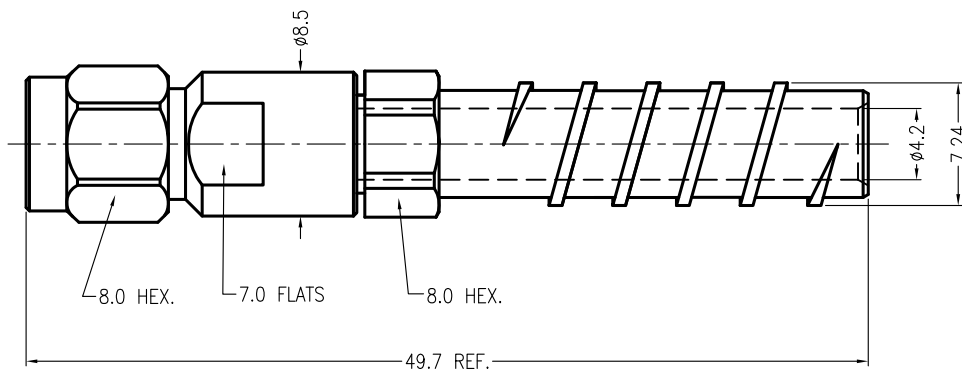
NOTICE: ALL PARTS MUST MEET TO RoHS REQUIREMENTS

RoHS

REMARKS:
 1. CONTACT PIN TO CAPTIVE
 2. FERRULE TO SOLDER



RECOMMENDED CABLE STRIPPING DIM'S



材料与电镀(MATERIALS AND PLATING)		UNIT: MICRO-INCHES
主体/外壳 BODY/SHELL	不锈钢 STAINLESS STEEL	钝化 PASSIVATION
中心针 CONTACT PIN	镀铜 Be-Cu	铜底, 镀金 GOLD/COPPER
绝缘体 INSULATOR	ENGINEERING PLASTICS	NATURAL
密封圈 GASKET	硅橡胶 SILICONE	RED

电气性能(ELECTRICAL CHARACTERISTICS)	
特性阻抗 (Impedance)	50 Ω
工作电压(Voltage rating)	335V(rms)
频率范围 (Frequency range)	0~40GHz
介质耐压(Dielectric withstanding voltage)	500V
接触电阻 (Contact resistance)	内导体(Center contact) ≤ 3mΩ 外导体(Outer contact) ≤ 2mΩ
绝缘电阻 (Insulation resistance)	≥ 5000MΩ
插入损耗(Insertion loss)	根据电缆特性 (According to the cable)
射频泄漏(RF-leakage)	N/A
电压驻波比(VSWR)	≤ 1.35
三阶互调 (3rd Intermodulation)	N/A

机械特性(MECHANICAL CHARACTERISTICS)	
插入力(Force to engage and disengage)	N/A
中心针保持力Center contact retention force	10 lbs MIN
螺母扭力(Recommended coupling torque)	7-10 in-lbs
螺母拉力(Coupling nut retention force)	≥ 60 lbs
机械耐久性(Durability)	≥ 500 cycles

环境参数(ENVIRONMENTAL CHARACTERISTICS)	
工作温度(Temperature range)	-40°C - +85°C
Relative Humidity	MIL-STD-202, Method 106
Vibration	MIL-STD-202, Method 204, Cond D
Shock	MIL-STD-202, Method 213, Cond I
Corrosion	MIL-STD-202, Method 101, Cond B

ISSUE	0	SCALE	FREE
UNLESS OTHERWISE SPECIFIED: 1) EDGES 0.15 MAX; 2) REMOVE ALL BURRS; 3) SURFACE ROUGHNESS Ra1.6; 4) UNITS:mm; 5) DIMENSIONS DECIMALS TOLERANCES ANGLES .x ±0.3 ±20° .xx ±0.2			

PART NO.	
APPROVED	ARMING
CHECKED	ARMING
DRAWN	CLOUD
DATE	2014-11-08

TITLE	2.92mm MALE STR FOR SLB-330-P TEST CABLE
DRAWING NO.	5P9M15S-A436-001
Company Website:	http://www.slkcorp.com

It is exclusively in written agreements that we provide our customers with warrants and representations as to the technical contained specifications and/or the fitness for any particular purpose. The facts and figures herein are carefully compiled to the best of our knowledge, but they are intended for general informational purposes only.