

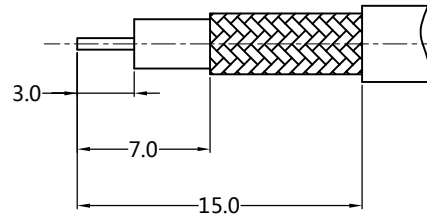
1	2	3	4	5	6
版本 (REV.)	描述 (DESCRIPTION)	变更号 (ECN NO.)	签名 (NAME)	日期 (DATE)	
0	FINAL VERSION	N/A	Flame	2016-07-05	



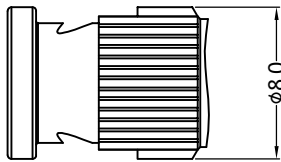
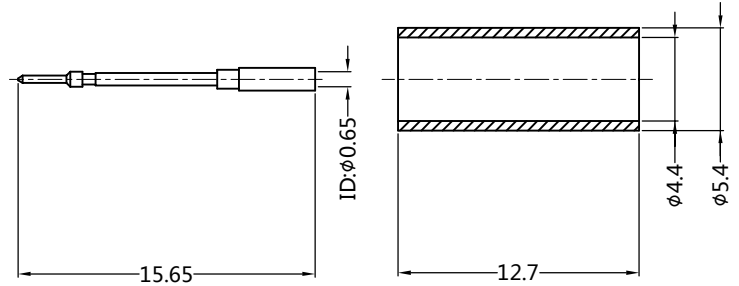
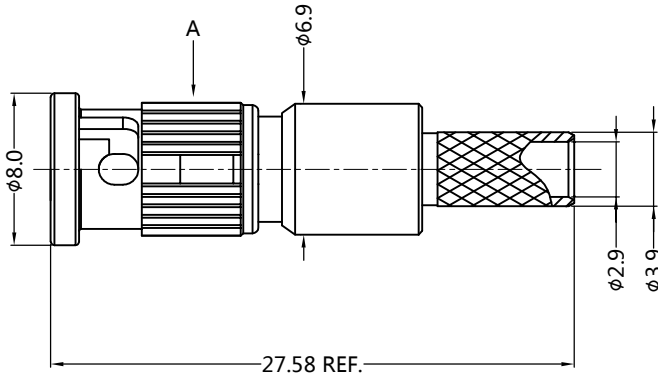
所有物料及工艺
必须符合
ROHS要求

ALL PARTS MUST
MEET TO RoHS
REQUIREMENTS

1. CRIMPED FERRULE HEX. CRIMP SIZE .188"
2. CONTACT PIN SOLIDER OR CRIMPED
HEX. CRIMP SIZE .041"



RECOMMENDED CABLE STRIPPING DIM'S



A VIEW

材料与电镀 (MATERIALS AND PLATING) UNIT: MICRO-INCHES		
名称 (PART NAME)	材质 (MATERIALS)	电镀 (PLATING)
BODY	BRASS	NICKEL 100u"/COPPER
CONTACT PIN	PHOSPHOR BRONZE	GOLD 30u"/NICKEL/COPPER
INSULATOR	PTFE ASTM-D-1710	N/A
SHELL	BRASS	NICKEL 100u"/COPPER
GASKET	SILICONE	RED
WASHER	BRASS	NICKEL 100u"/COPPER
SPRING	STAINLESS SUS	N/A
C-RING	BRASS	NICKEL 100u"/COPPER
FERRULE	BRASS	NICKEL 100u"/COPPER

电气性能 (ELECTRICAL SPECIFICATION)		
特性阻抗 (Impedance)		75Ω
频率范围 (Frequency range)		0~4.5GHz
工作电压 (Voltage rating)		> 170V(rms)
介质耐压 (Dielectric withstanding voltage)		> 500V
接触电阻 (Contact resistance)	内导体 (Center contact)	< 5.0mΩ
	外导体 (Outer contact)	< 2.5mΩ
绝缘电阻 (Insulation resistance)		> 1000MΩ
插入损耗 (Insertion loss)		0.20x√F(GHZ)
回波损耗 (Return loss)		-32dB@0~3GHz -28dB@3~4.5GHz
屏蔽效率 (Shielding Efficiency)		< -55dB @0~4.5GHz

机械特性 (MECHANICAL CHARACTERISTICS)	
线缆保持力 (Calbe retention force)	> 30lbs
外壳拉力 (Bayonet retention force)	> 60 lbs
机械耐久性 (Durability)	≥ 500cycles

环境参数 (ENVIRONMENTAL PARAMETER)	
工作温度 (Temperature range)	-65°C~+165°C

CUSTOMER OUTLINE DRAWING

除非特别声明 (UNLESS OTHERWISE SPECIFIED) :
 1)未注倒角 (EDGES) :C0.15MAX;
 2)去除各处毛刺 (REMOVE ALL BURRS) ;
 3)表面光洁度 (SURFACE ROUGHNESS) :Ra1.6;
 4)单位 : 毫米 (UNITS:mm) ;
 5)未标注尺寸公差 (DIMENSIONS TOLERANCES)
 小数 (DECIMALS) .x ±0.3, .xx ±0.2, .xxx±0.1;
 角度 (ANGLES) ±5°.

第三视角 (THIRD ANGLE PROJECTION)		客户料号 (CUSTOMER P/N):
批准 (APPROVED): Arming	审核 (CHECKED): YY	
制图 (DRAWING): Flame	日期 (DATE): 16-07-05	比例 (SCALE): 3 : 1
公司网址 (COMPANY WEBSITE): www.slkcorp.com		

标题 (TITLE): HHD BNC MALE S/T FOR 1855A(BELDEN) CABLE
 图号 (DRAWING NO.): 7EZM11S-A302-900