

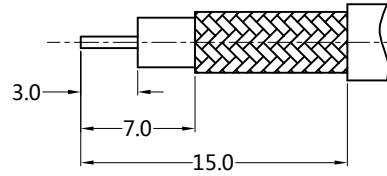
1	2	3	4	5	6
版本 (REV.)	描述 (DESCRIPTION)	变更号 (ECN NO.)	签名 (NAME)	日期 (DATE)	
0	FINAL VERSION	N/A	Flame	2016-07-05	



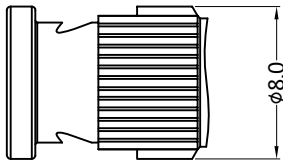
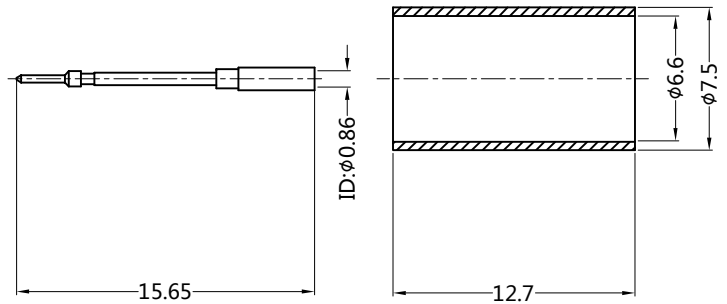
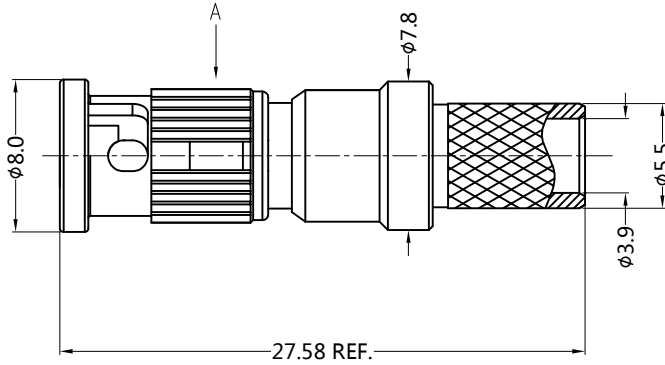
所有物料及工艺
必须符合
ROHS要求

ALL PARTS MUST
MEET TO RoHS
REQUIREMENTS

NOTE:
1.CRIMPED FERRULE HEX. CRIMP SIZE .260"
2.CONTACT PIN SOLIDER OR CRIMPED
HEX. CRIMP SIZE .041"



RECOMMENDED CABLE STRIPPING DIM'S



A VIEW

材料与电镀 (MATERIALS AND PLATING) UNIT: MICRO-INCHES		
名称 (PART NAME)	材质 (MATERIALS)	电镀 (PLATING)
BODY	BRASS	NICKEL 100u"/COPPER
CONTACT PIN	PHOSPHOR BRONZE	GOLD 30u"/NICKEL/COPPER
INSULATOR	PTFE ASTM-D-1710	N/A
SHELL	BRASS	NICKEL 100u"/COPPER
GASKET	SILICONE	RED
WASHER	BRASS	NICKEL 100u"/COPPER
SPRING	STAINLESS SUS	N/A
C-RING	BRASS	NICKEL 100u"/COPPER
FERRULE	BRASS	NICKEL 100u"/COPPER

电气性能 (ELECTRICAL SPECIFICATION)		
特性阻抗 (Impedance)		75Ω
频率范围 (Frequency range)		0~4.5GHz
工作电压 (Voltage rating)		> 170V(rms)
介质耐压 (Dielectric withstanding voltage)		> 500V
接触电阻 (Contact resistance)	内导体 (Center contact)	< 5.0mΩ
	外导体 (Outer contact)	< 2.5mΩ
绝缘电阻 (Insulation resistance)		> 1000MΩ
插入损耗 (Insertion loss)		0.20x√F(GHZ)
回波损耗 (Return loss)		< -32dB@0~3GHz < -28dB@3~4.5GHz
屏蔽效率 (Shielding Efficiency)		< -55dB @0~4.5GHz

机械特性 (MECHANICAL CHARACTERISTICS)	
线缆保持力 (Cable retention force)	> 30lbs
外壳拉力 (Bayonet retention force)	> 60lbs
机械耐久性 (Durability)	≥ 500cycles

环境参数 (ENVIRONMENTAL PARAMETER)	
工作温度 (Temperature range)	-65°C~+165°C

CUSTOMER OUTLINE DRAWING

除非特别声明 (UNLESS OTHERWISE SPECIFIED) :
 1)未注倒角 (EDGES) :C0.15MAX;
 2)去除各处毛刺 (REMOVE ALL BURRS) ;
 3)表面光洁度 (SURFACE ROUGHNESS) :Ra1.6;
 4)单位 : 毫米 (UNITS:mm) ;
 5)未标注尺寸公差 (DIMENSIONS TOLERANCES)
 小数 (DECIMALS) .x ±0.3, .xx ±0.2, .xxx±0.1;
 角度 (ANGLES) ±5°.

第三视角 (THIRD ANGLE PROJECTION)		
批准 (APPROVED):	Arming	客户料号 (CUSTOMER P/N):
审核 (CHECKED):	YY	比例 (SCALE):
制图 (DRAWING):	Flame	日期 (DATE): 2016-07-05
		公司网址 (COMPANY WEBSITE): www.slkcorp.com

标题 (TITLE): HHD BNC MALE S/T FOR 1505A(BELDEN) CABLE
 图号 (DRAWING NO.): 7EZM11S-A518-900