
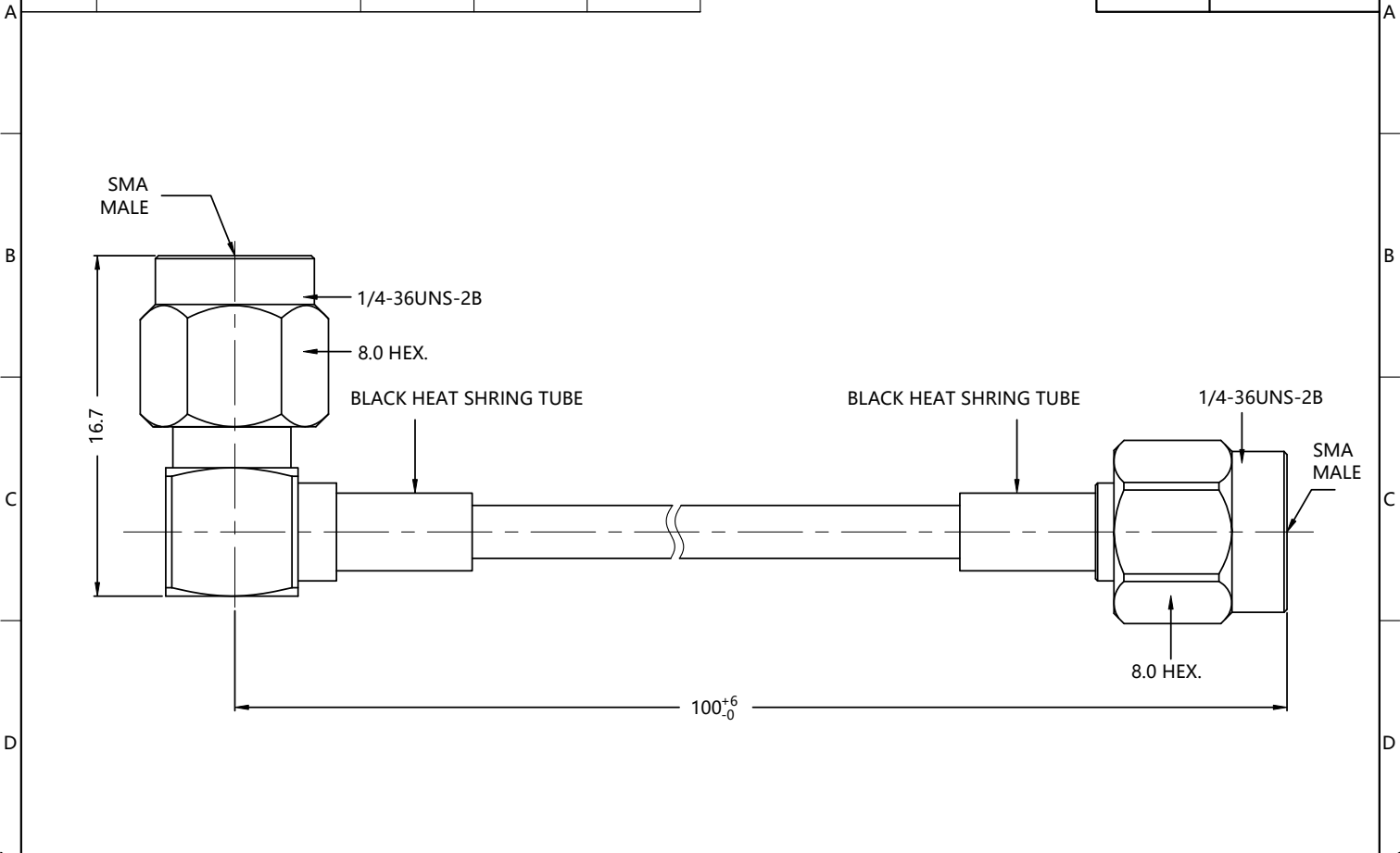


REV.	DESCRIPTION	ECN NO.	NAME	DATE	 ALL PARTS MUST MEET TO RoHS REQUIREMENTS
0	FIRST EDITION	N/A	YWD	2021-11-18	



MATERIALS AND PLATING		UNIT: MICRO-INCHES	
PART TYPE	PART NAME	MATERIALS	PLATING
SMA MALE	BODY	BRASS	GOLD 5 u"/NICKEL/COPPER
	INSULATOR	PTFE ASTM-D-1710	N/A
	CONTACT PIN	Be-Cu+BRASS	GOLD 15 u"/NICKEL/COPPER
CABLE	RF COAXIAL CABLE TBEND-260 , FEP JACKET		
OTHER	N/A		

ELECTRICAL CHARACTERISTICS	
IMPEDANCE	50 Ω
VOLTAGE RATING	175 V(rms)
FREQUENCY RANGE	DC ~9 GHz
DIELECTRIC WITHSTANDING VOLTAGE	>500 V
INSULATION RESISTANCE	>5000 MΩ
INSERTION LOSS	<0.6 dB
VSWR	<1.30
RF- leakage	N/A
3RD INTERMODULATION	N/A

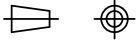
MECHANICAL CHARACTERISTICS	
CABLE RETENTION FORCE	>12 lbs
MIN. BENDING RADIUS, STATIC	14 mm
MIN. BENDING RADIUS, REPEATED	26 mm
RECOMMENDED COUPLING TORQUE	7.0~10 in-lbs
COUPLING NUT RETENTION FORCE	>60 lbs
DURABILITY	>500 cycles

ENVIRONMENTAL PARAMETER	
TEMPERATURE RANGE	-40 °C ~ +85 °C
PROTECTION GRADE	N/A

CUSTOMER OUTLINE DRAWING

*** CUSTOMER OUTLINE DRAWING**

UNLESS OTHERWISE SPECIFIED:
 1) EDGES : N/A ;
 2) REMOVE ALL BURRS : N/A ;
 3) SURFACE ROUGHNESS : N/A ;
 4) UNITS : mm ;
 5) DIMENSIONS TOLERANCES
 DECIMALS : .x ±5, .xx ±2, .xxx ±1;
 ANGLES : ±10°.

THIRD ANGLE PROJECTION		
APPROVED :	CUSTOMER P/N :	
CHECKED :	SCALE :	
DRAWING :	DATE :	
PAGE : 1/1		



TITLE : SMA MALE RA TO SMA MALE
FOR Nband-260 CABLE

DRAWING NO. :
MAMRMAMS-301-0100-01

COMPANY WEBSITE : www.slkcorp.com